

SHELVING SYSTEM ASSEMBLY GUIDE



Intertek

Sanitation Listed
Certified to NSF/ANSI 2 by Intertek

- Size of parts will differ depending on the customer's order.
- Quantity of parts might differ depending on customer's order.

NEED:



Two people
needed
PARTS LIST



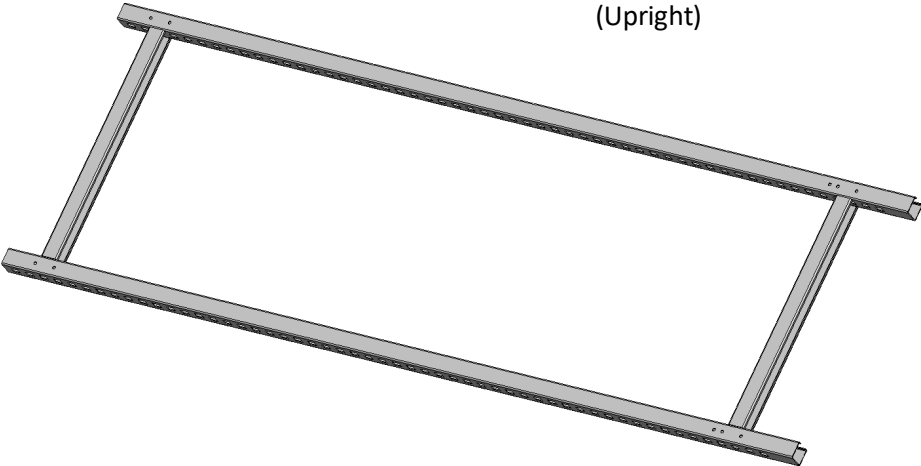
Wrench & Ratchet with
7/16" Deep Socket



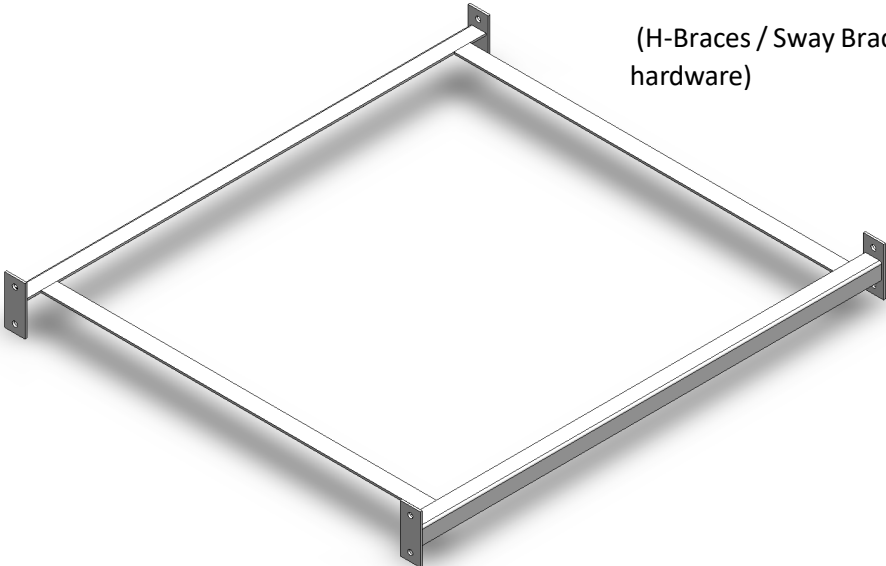
Level



Utility
Gloves

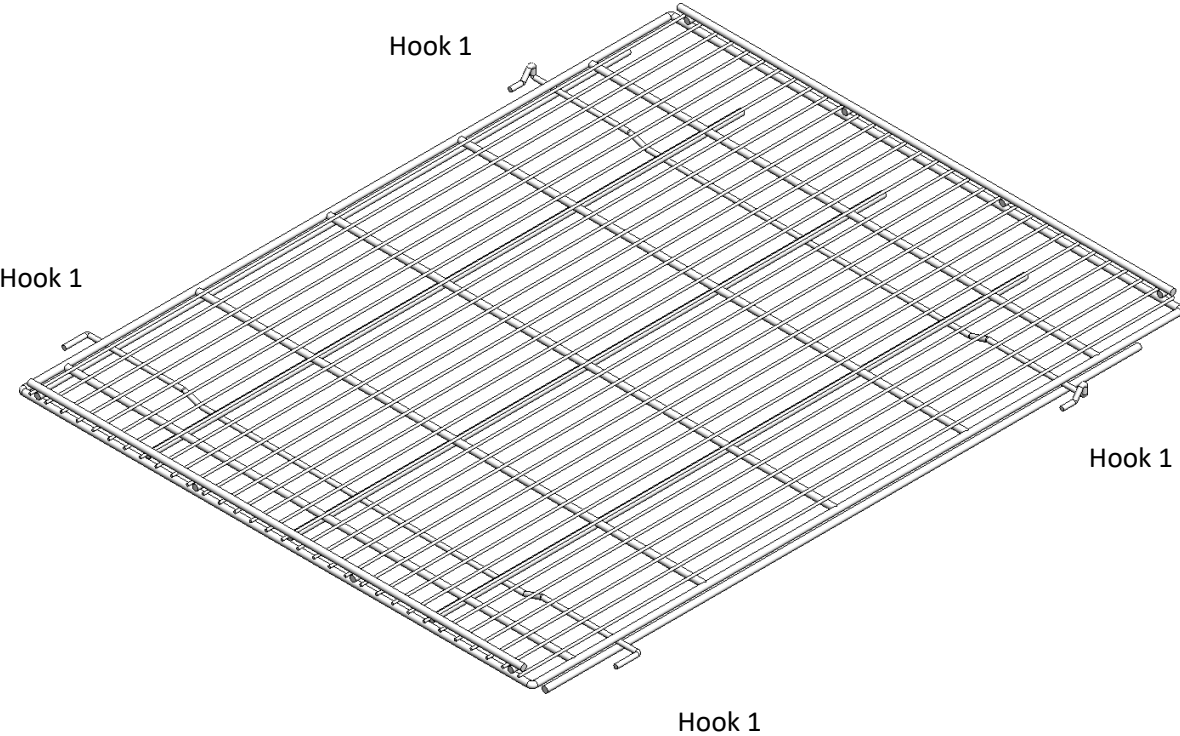


(Upright)

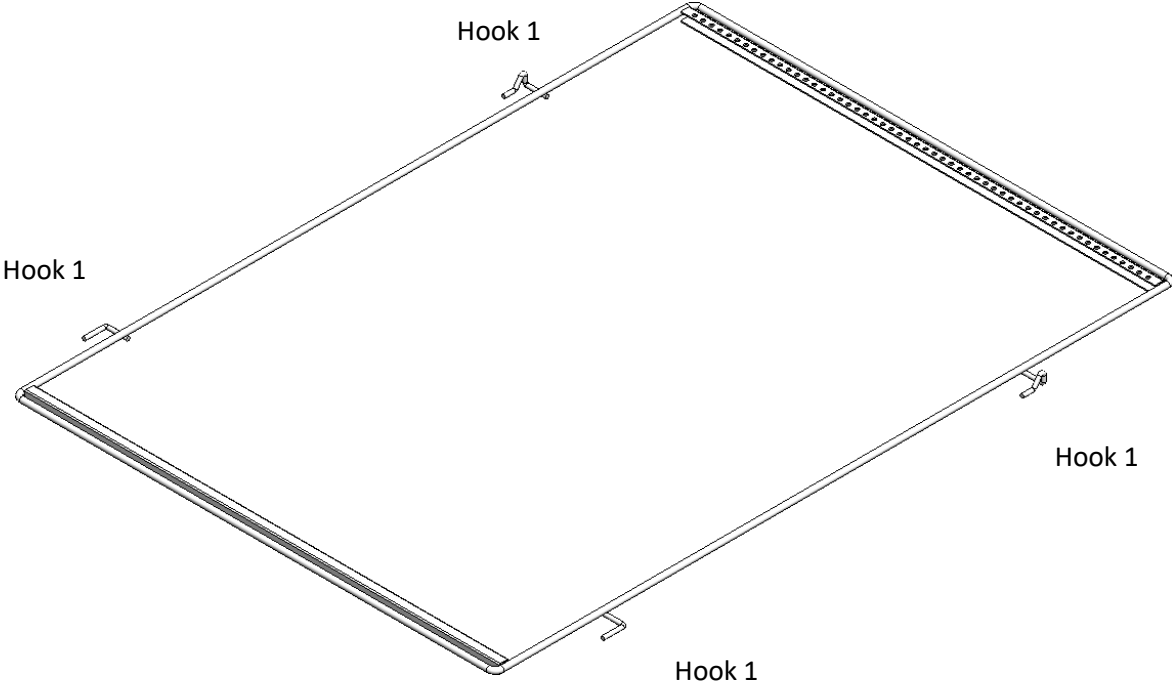


(H-Braces / Sway Braces w/
hardware)

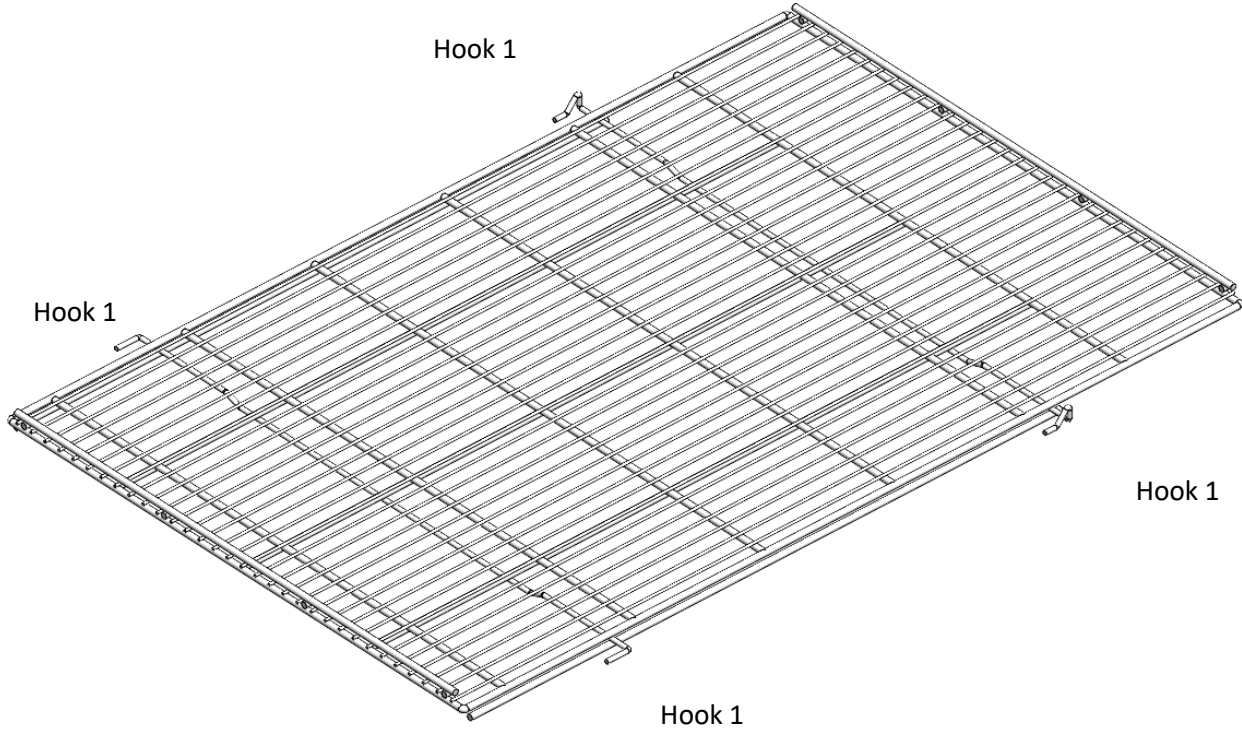
36" Wire Shelf



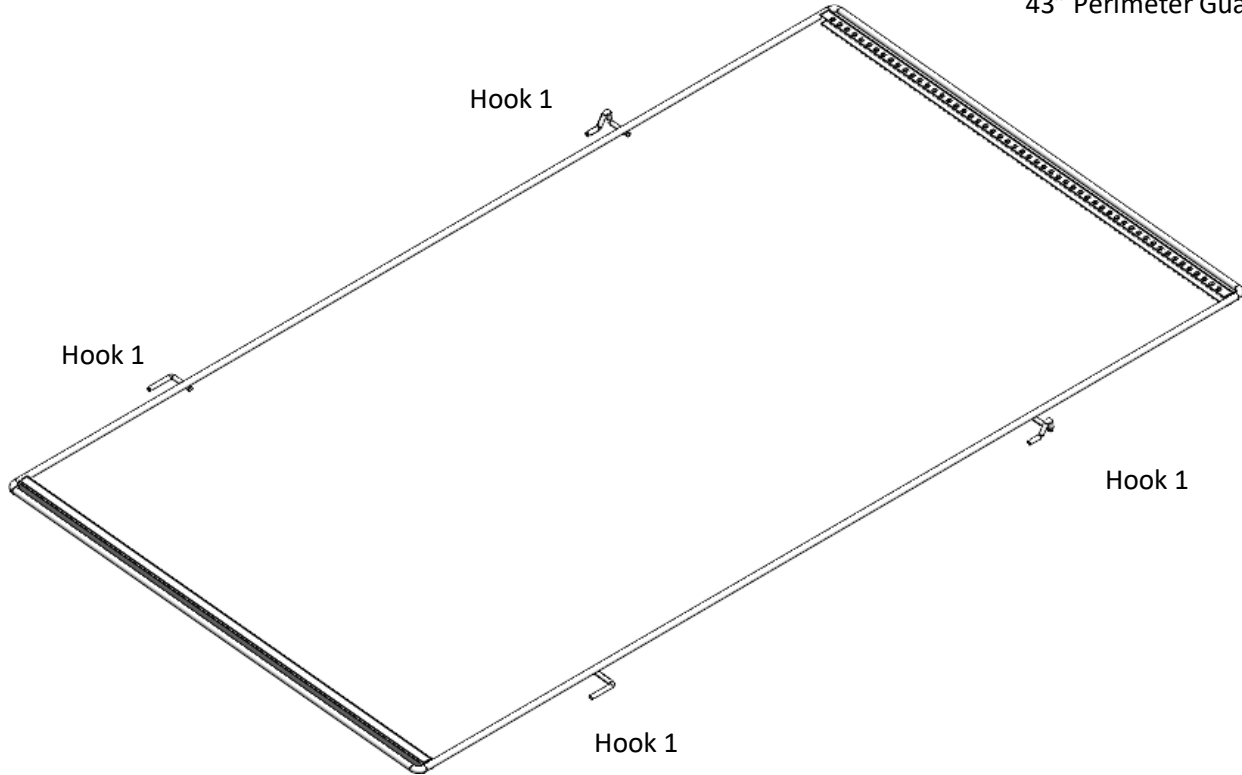
36" Perimeter Guard

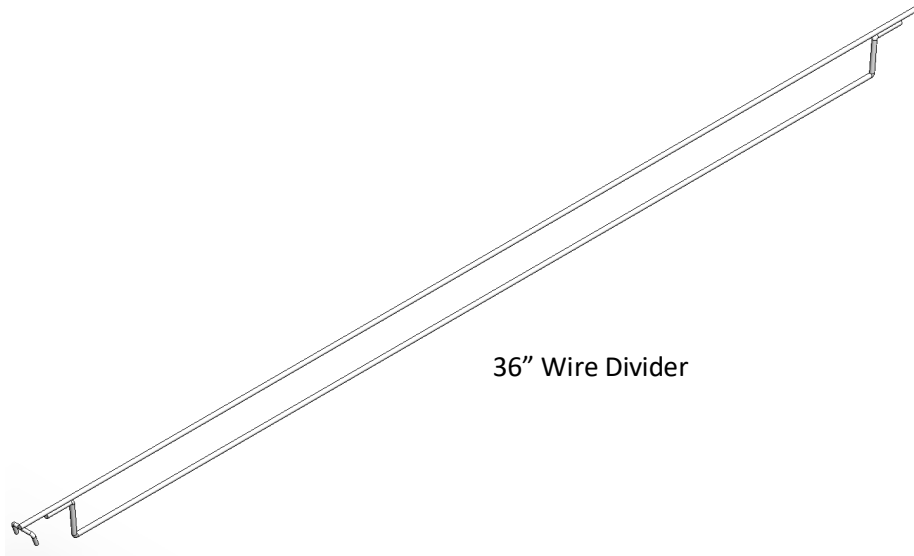


43" Wire Shelf

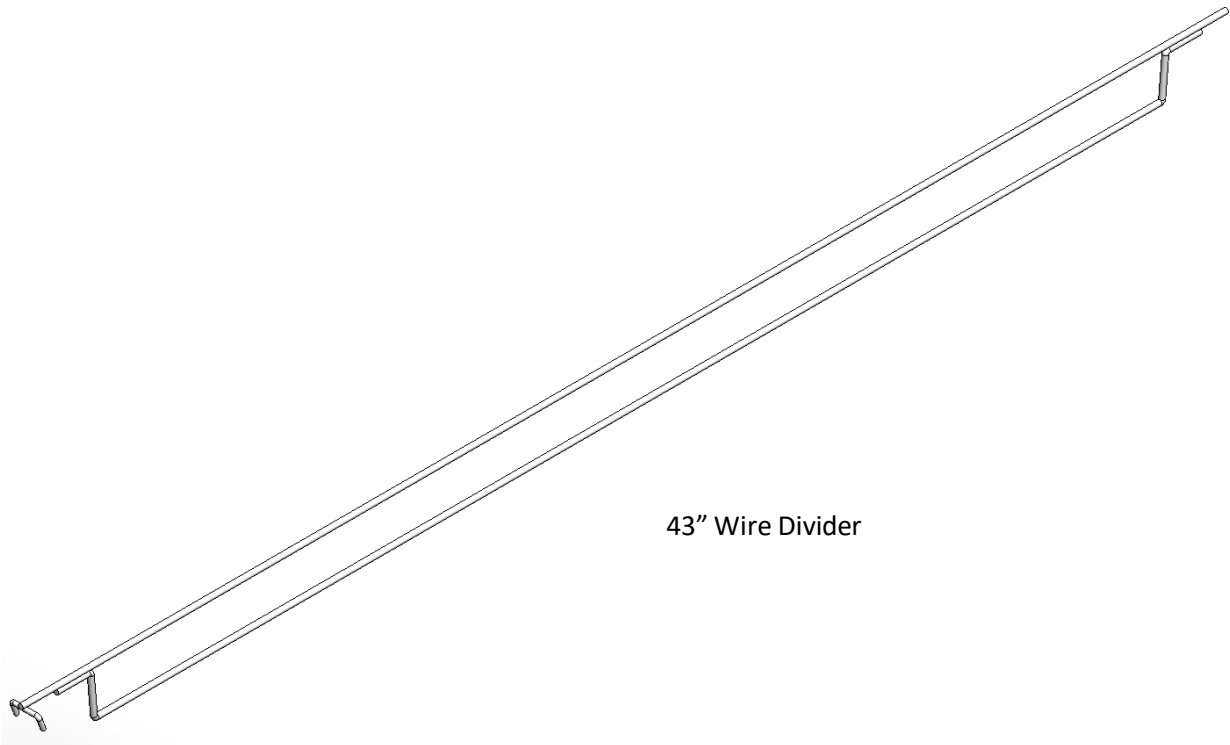


43" Perimeter Guard

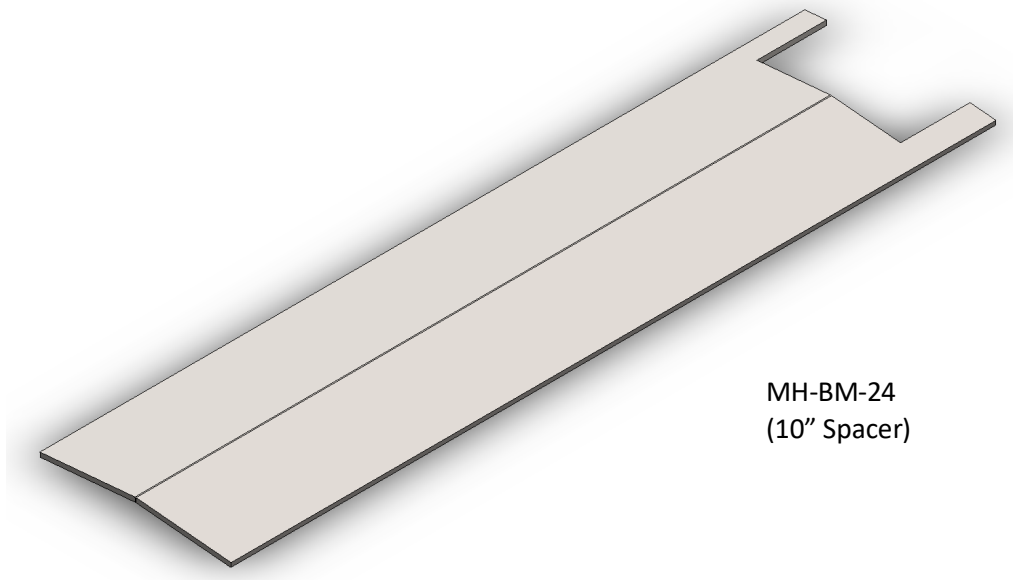




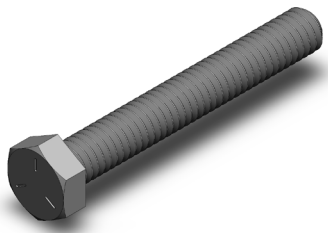
36" Wire Divider



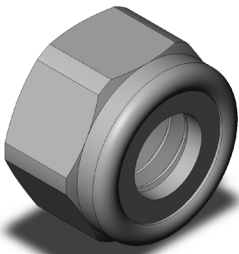
43" Wire Divider



MH-BM-24
(10" Spacer)

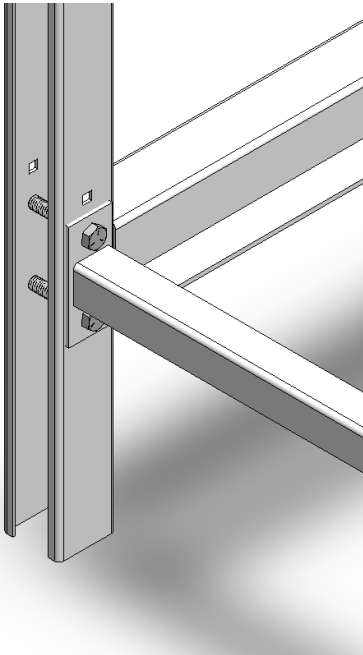
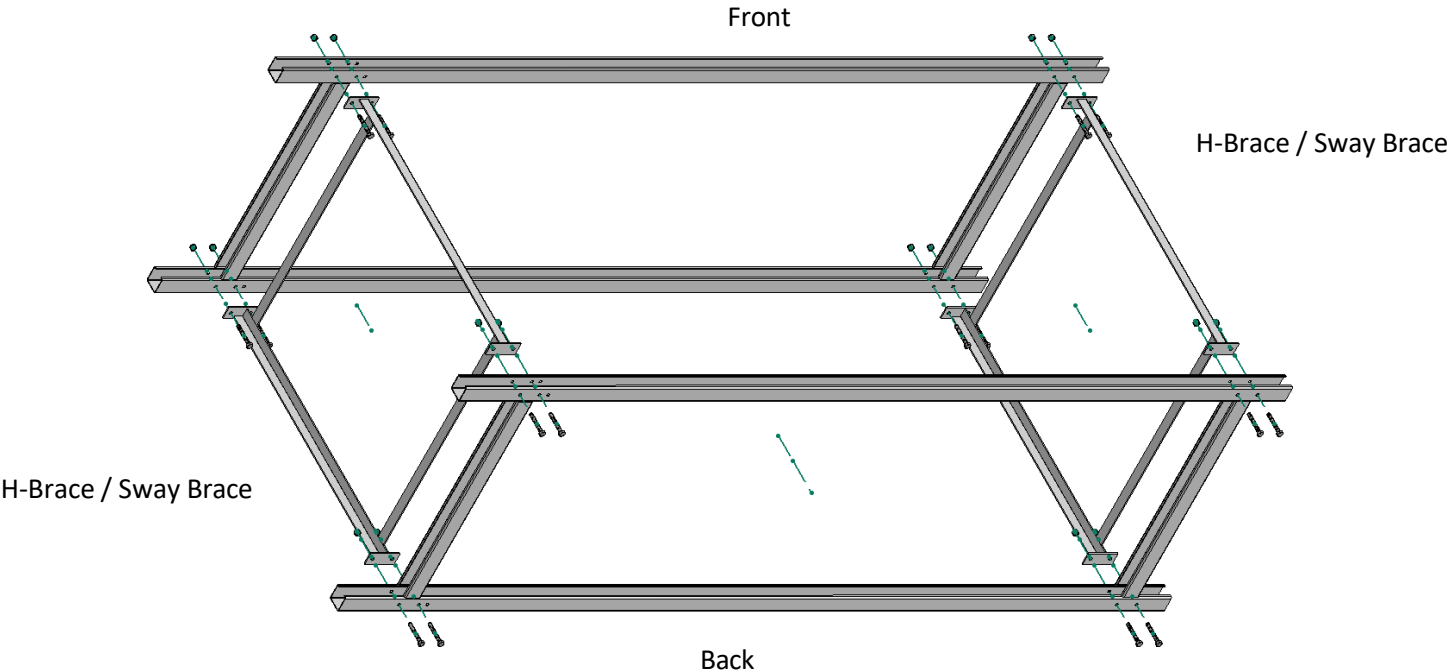


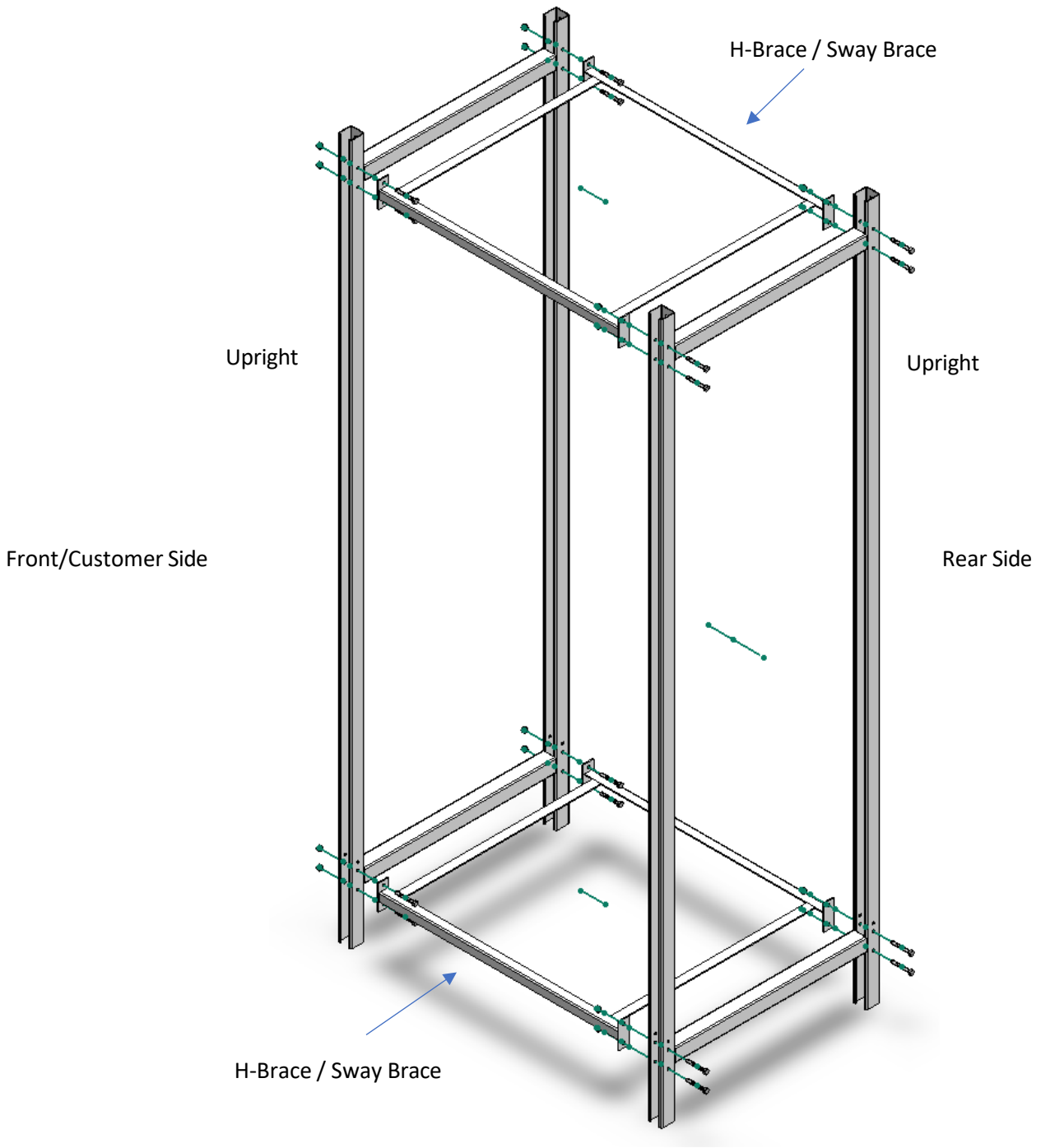
1/4"-20 x 2 1/4" L Bolts

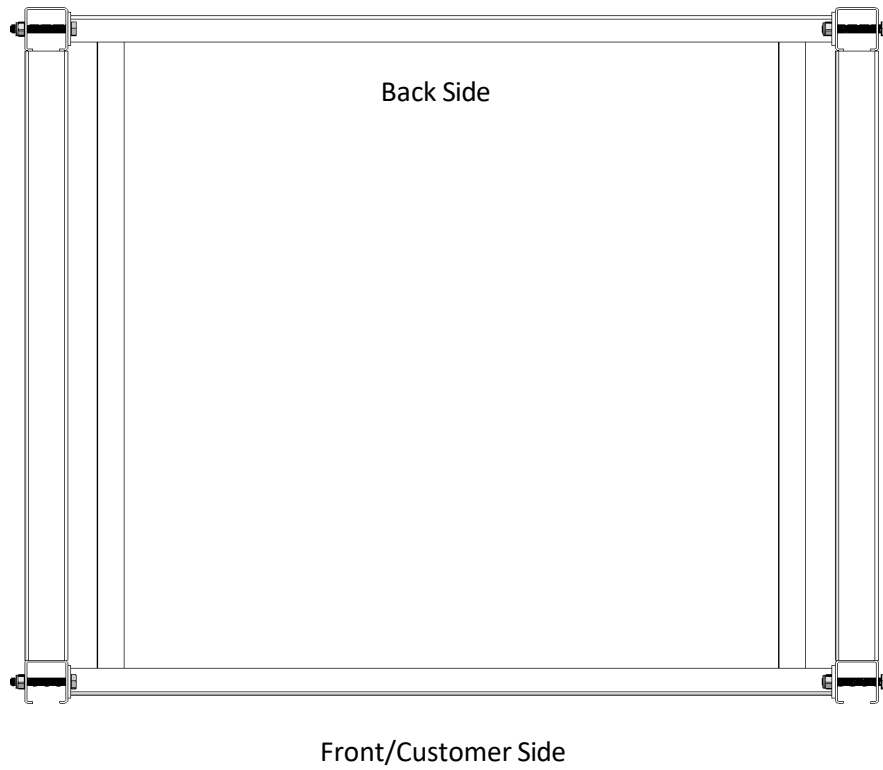
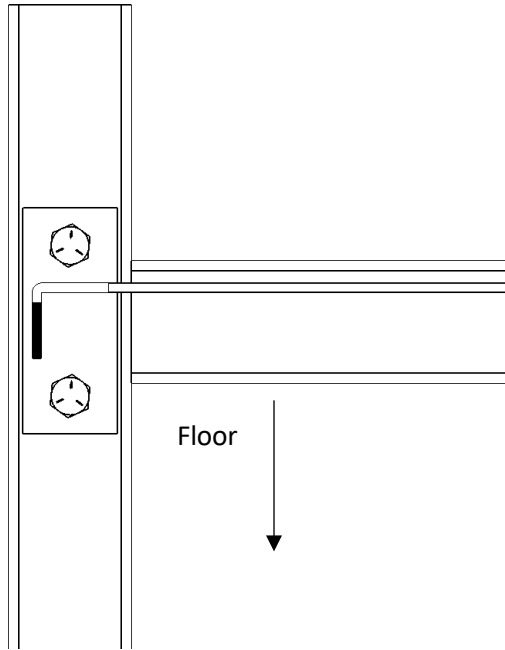


1/4"-20 Nylon Lock Nuts

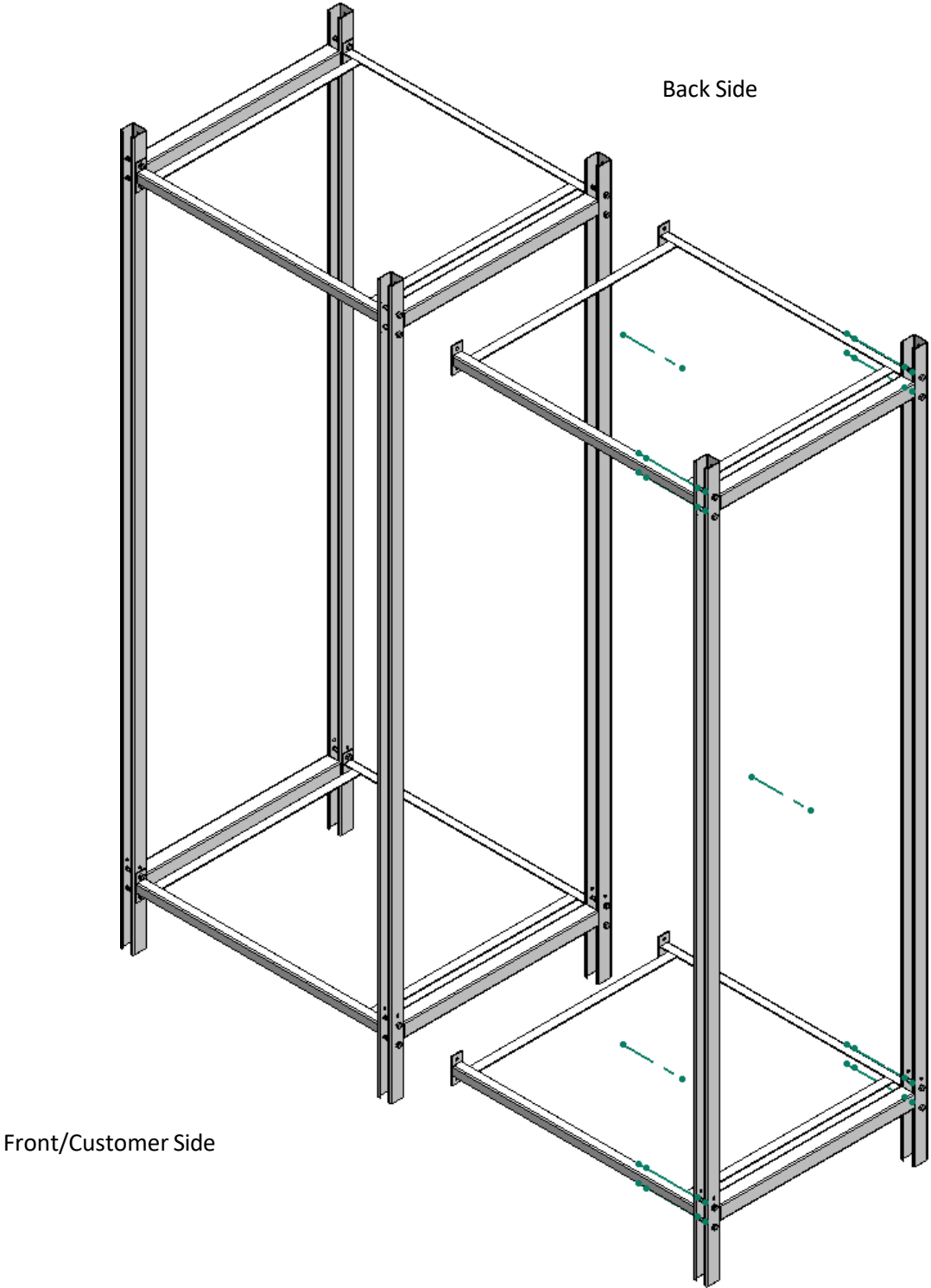
Step 1: On ground, loosely hand tighten with fingers the locking nuts on the cross bars, once all H-Brace / Sway Brace are installed, tighten the bolts, but do not over tighten them, this will damage the upright posts. Then flip up the "box" assembly. Make sure the side with the square notch is closer to the ground.





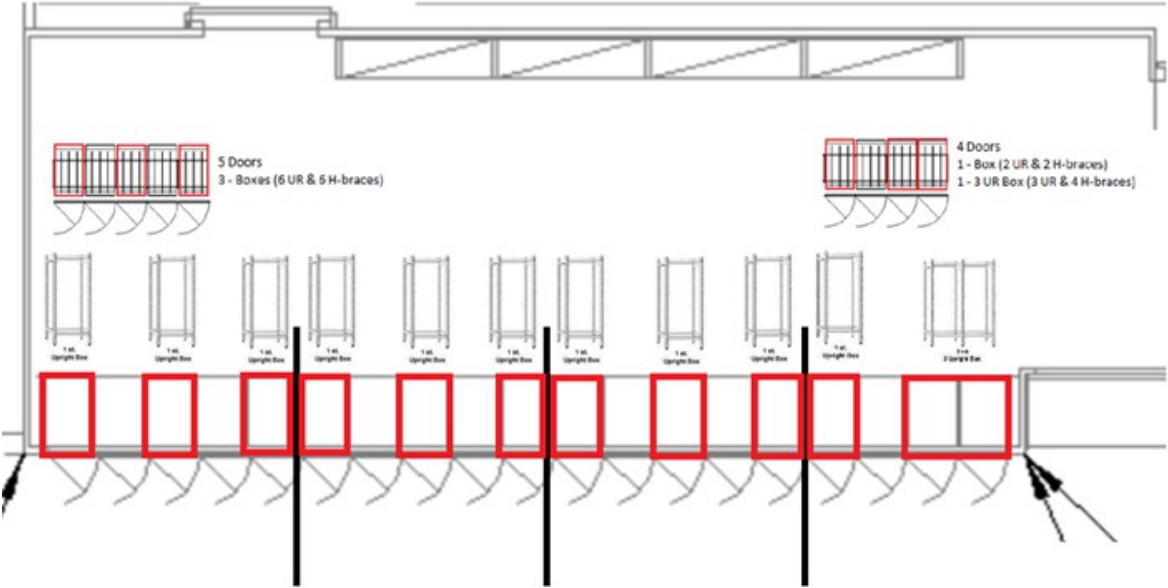


When necessary, two boxes can be built together, and will share an upright, as shown below.



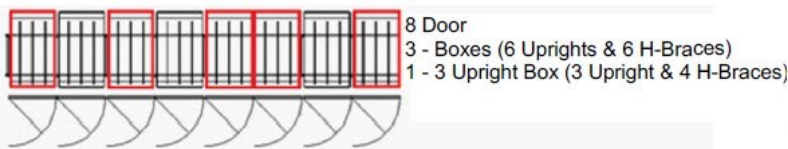
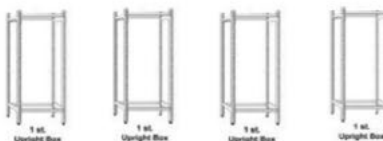
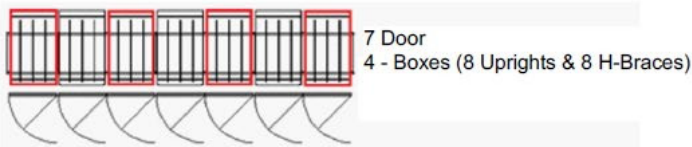
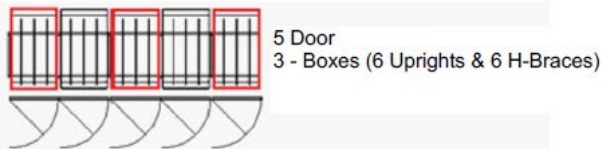
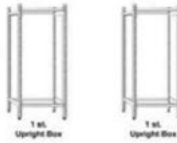
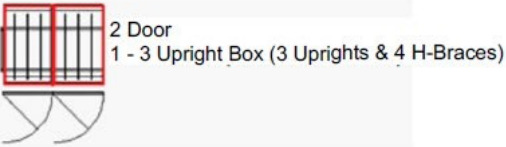
Each configuration of shelving will get a door layout showing where all the boxes are located, see example below:

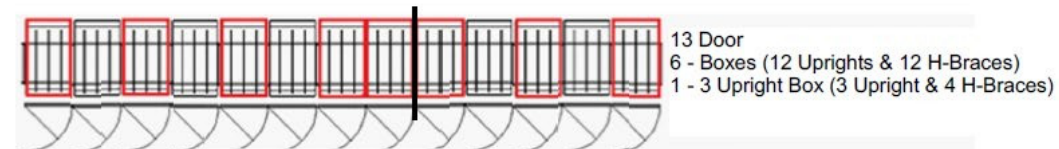
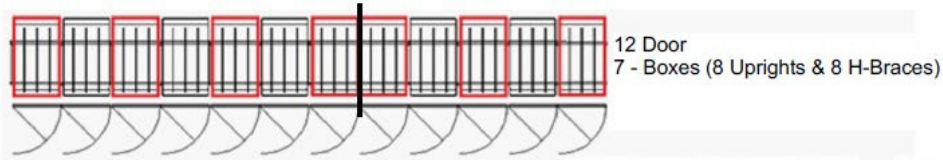
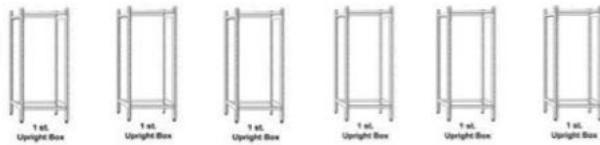
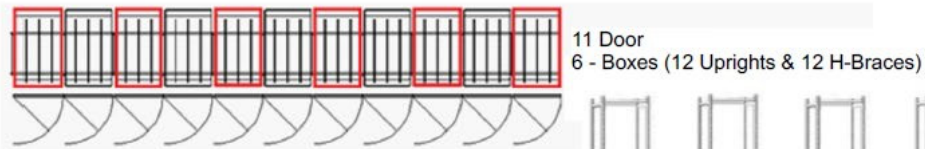
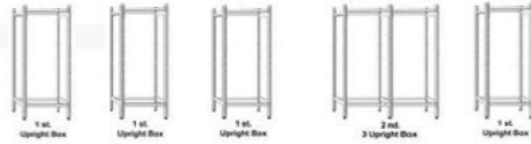
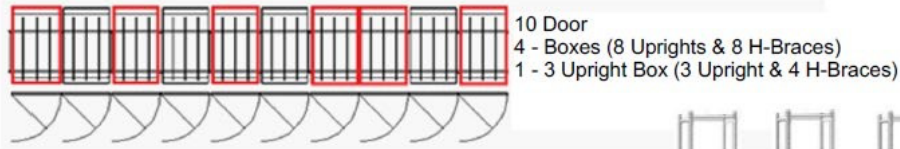
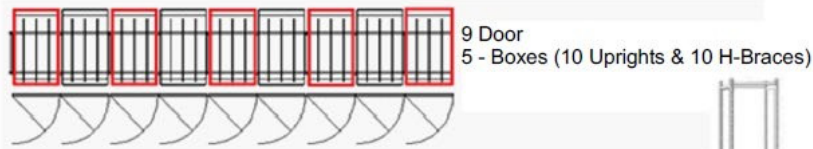
Attached is a drawing showing our box locations for the installation. Installation manual will be included with the shipment.



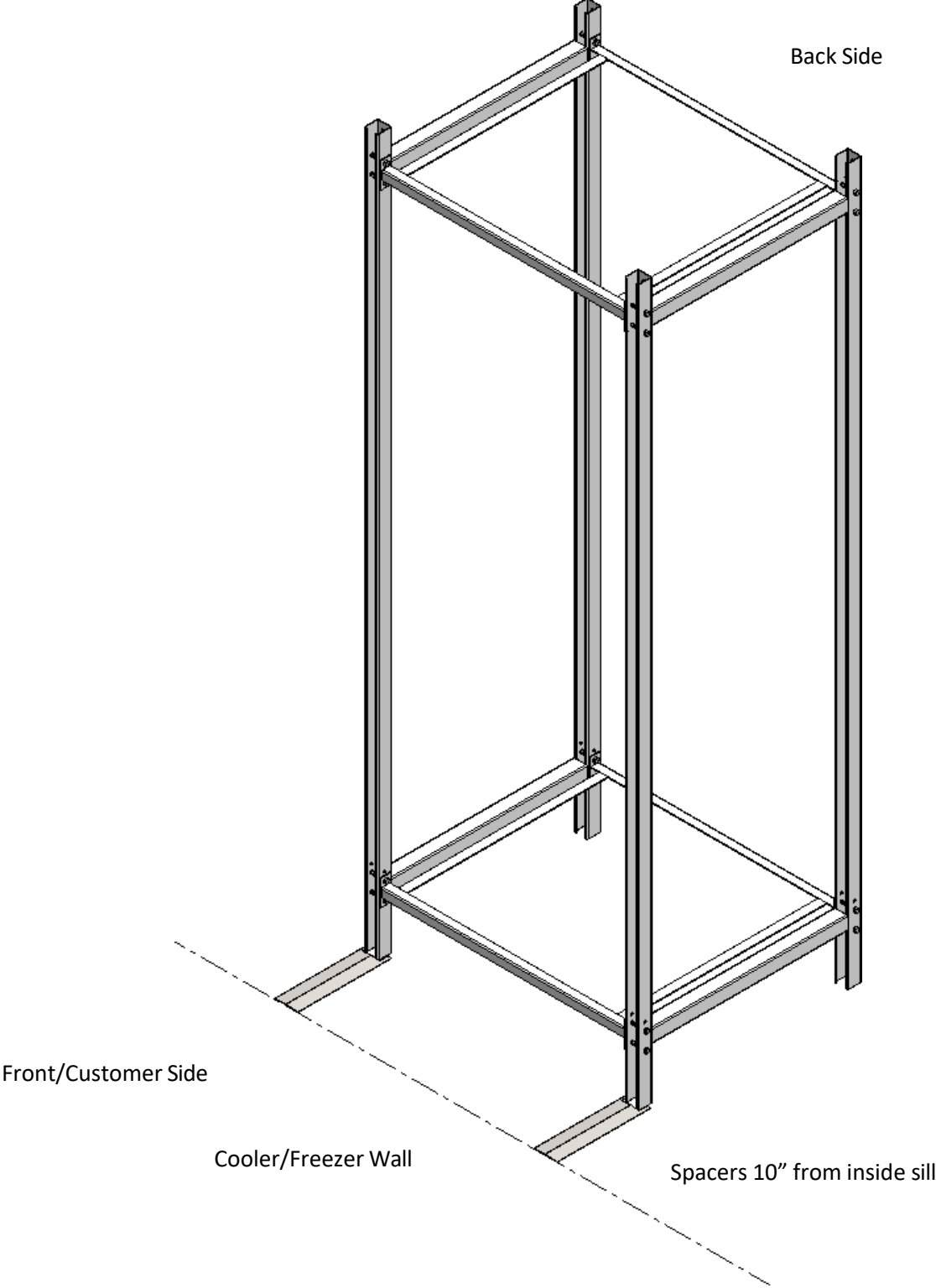
Black lines indicate each sub section not bolted together

Door Lineups:

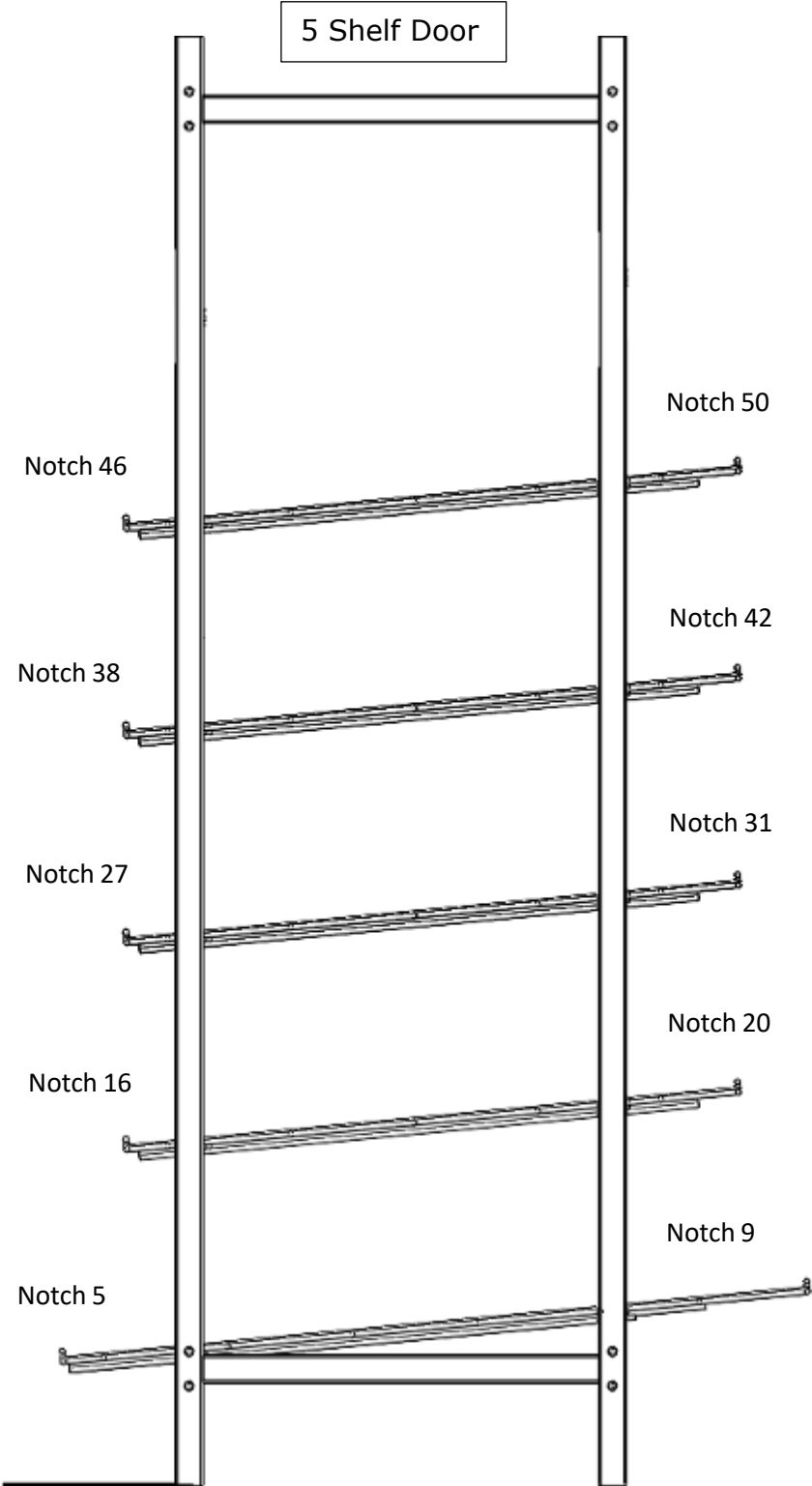


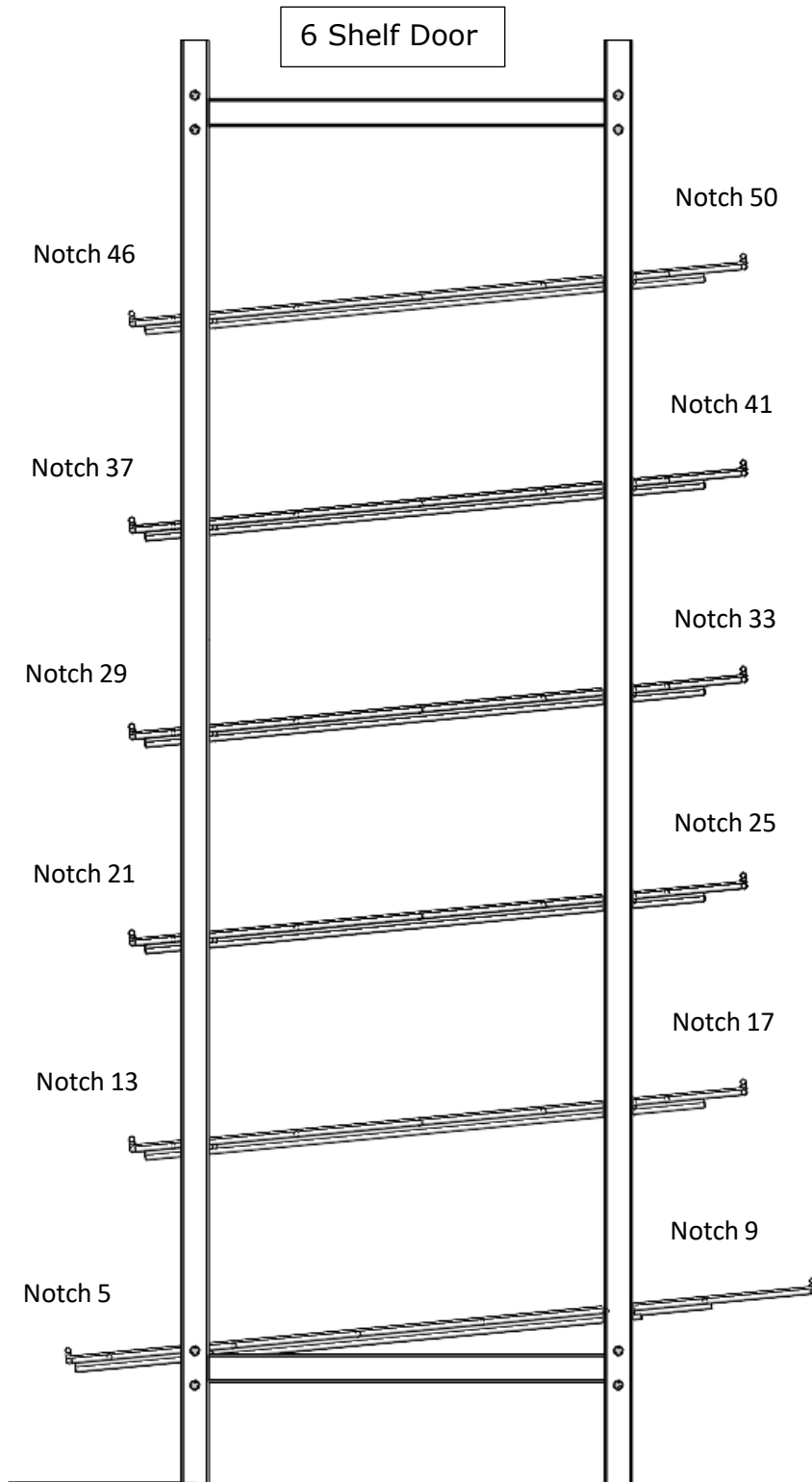


Step 2: Use the included spacers to set the 10" clearance from the Frame to the cooler box wall with doors.

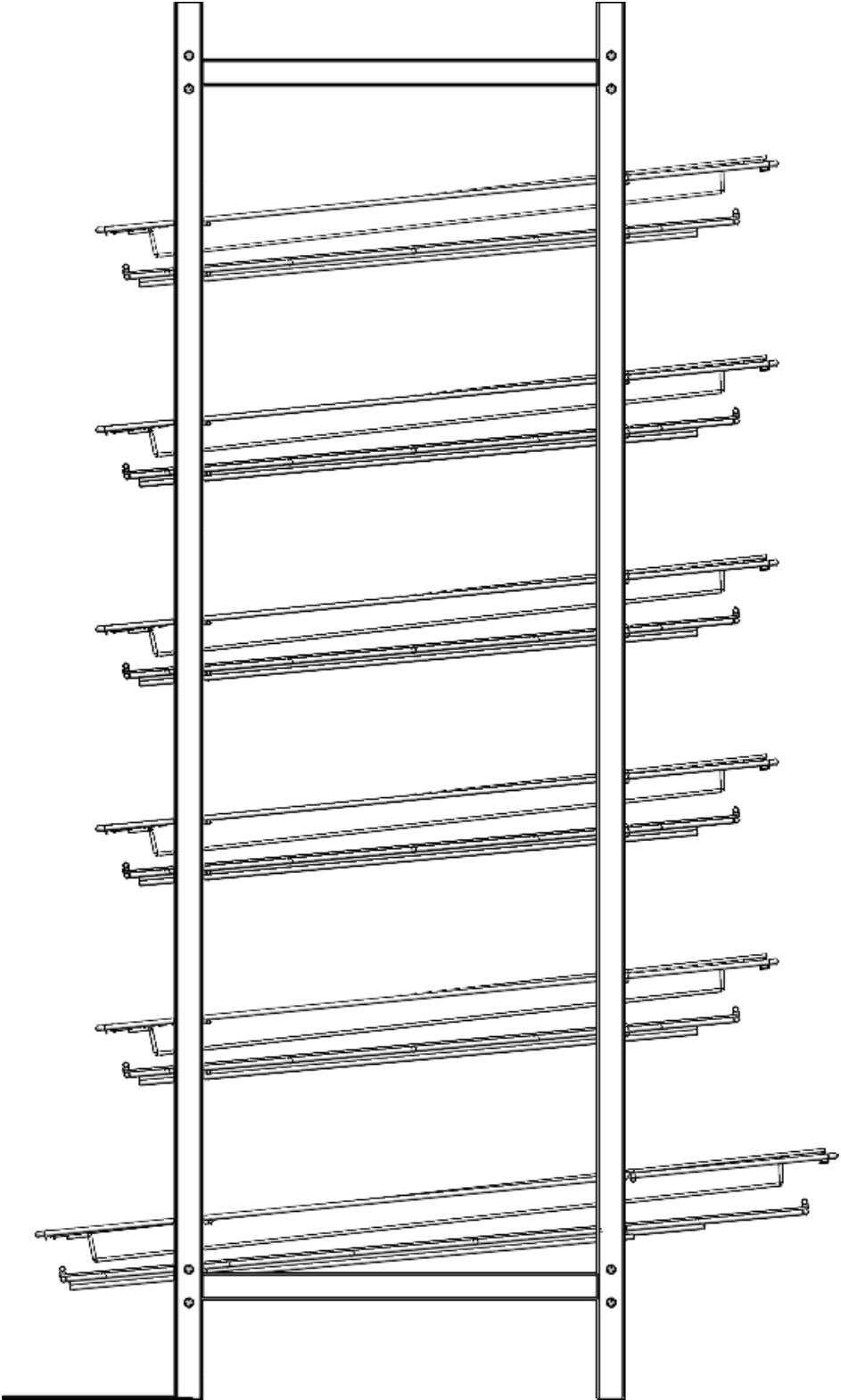


Step 3: Install the wire shelves on the upright by using the hooks on the notch of the Upright. The bottom shelf will be deeper (43" vs 36") than the shelves above it.

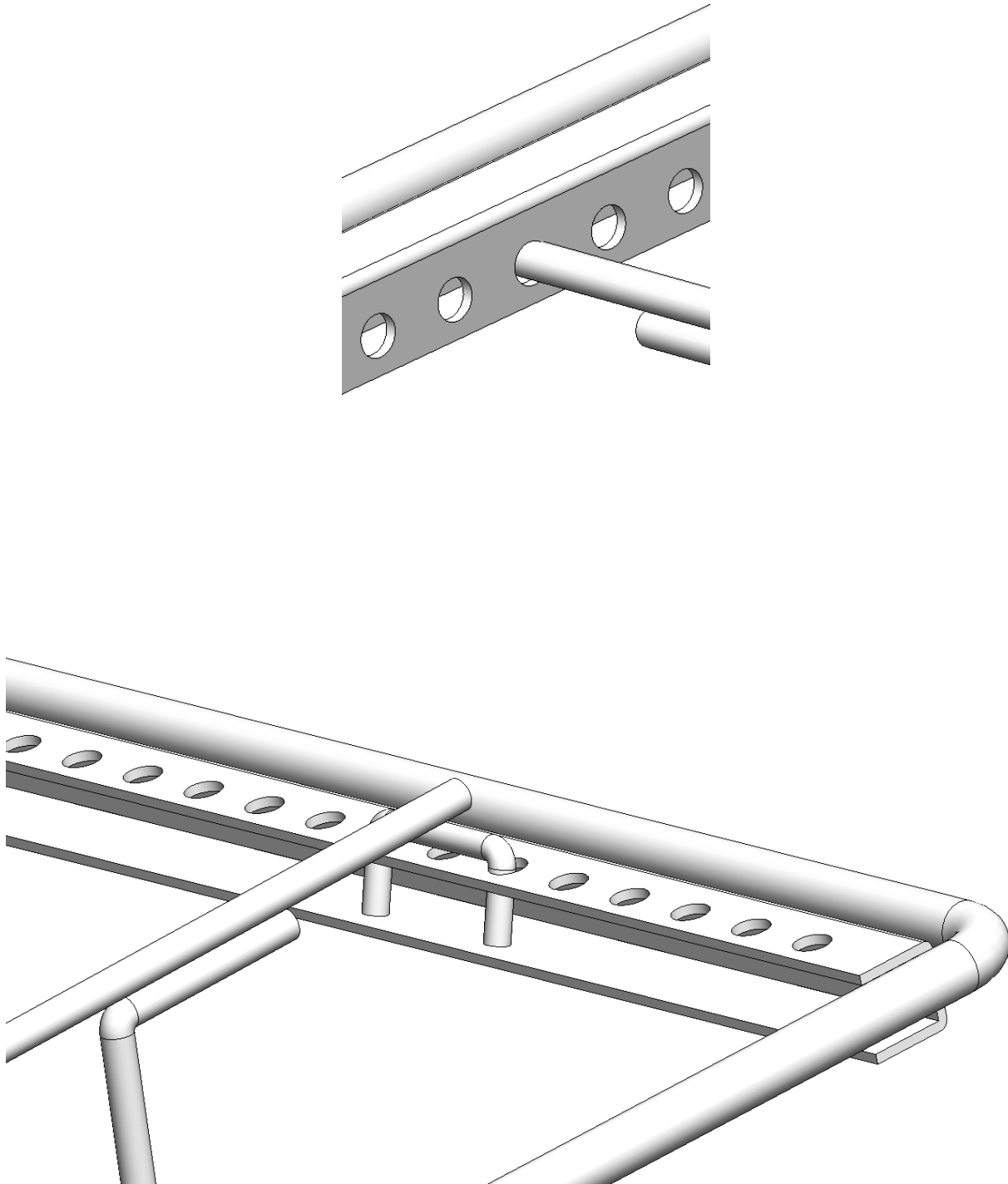




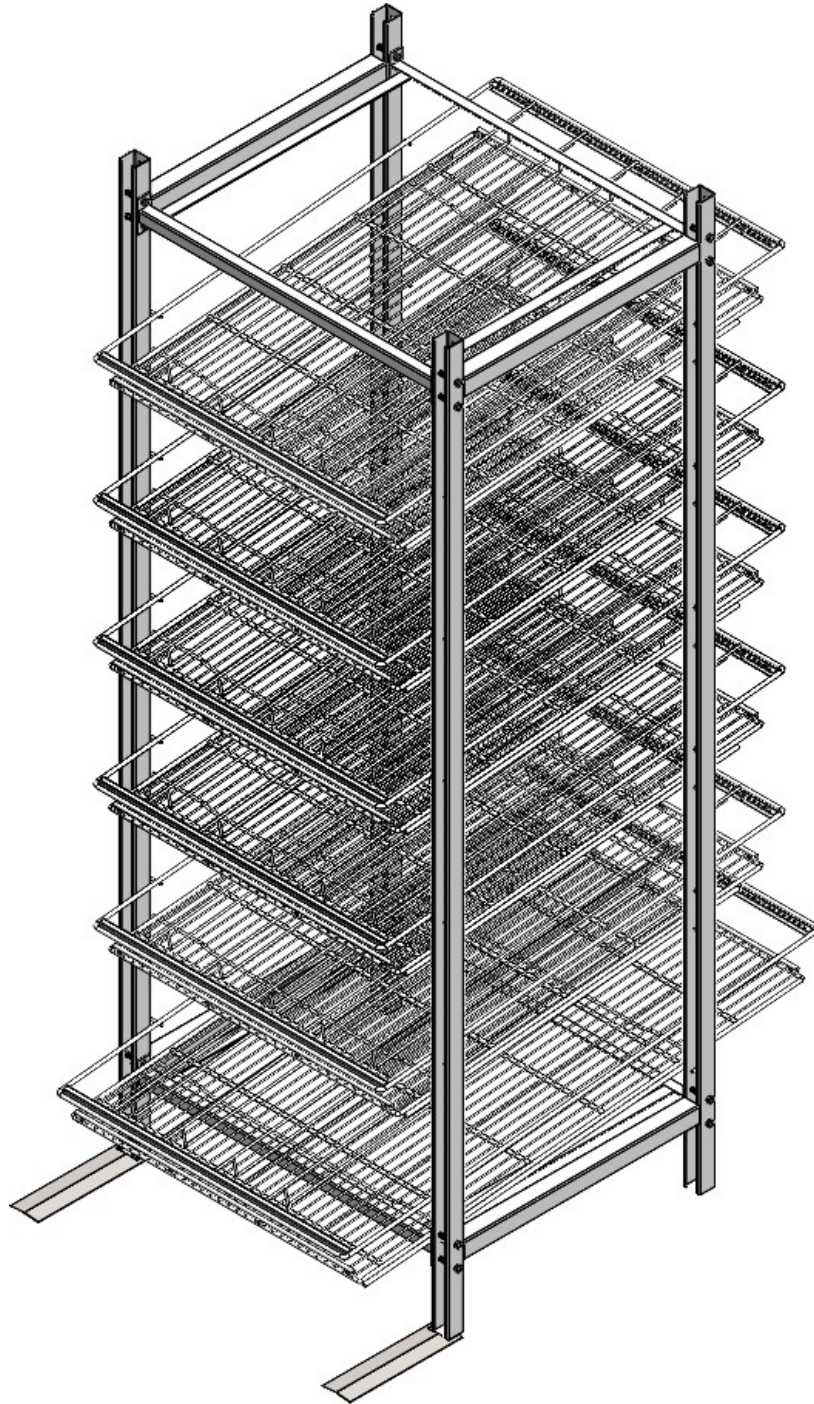
Step 4: Install the perimeter guards using the hook on the upright notch. Ensure they are installed 3 notches above the shelf. This will prevent product falling off the front.



Step 5: Install the wire dividers by putting the single wire into the front and putting the double wire into the back as shown in the picture below.



Completed Assembly:



Questions?

Call Customer Service...800-323-2517